

Travancore Legislative Library

X 87 P 11

Section :

Title: Report on the Indian Cotton  
Committee

Stock No.

3066

S No 20

Travancore Legislative Library

Section :

Title :

Stock No. 306 (a)

*REPORT*  
OF THE  
Indian Cotton  
Committee

(Maps and Plans)



1919

CALCUTTA  
SUPERINTENDENT GOVERNMENT PRINTING, INDIA  
*Reprinted 1920.*

**Agents for the Sale of Books published by the  
Superintendent of Government Printing, India, Calcutta.**

**IN EUROPE.**

Constable & Co., 10, Orange Street, Leicester Square, London, W.O.  
Kegan Paul, Trench, Trübner & Co., 68-74, Carter Lane, E.O., and 25, Museum Street, London, W.O.  
Bernard Quaritch, 11, Grafton Street, New Bond Street, London, W.  
P. S. King & Sons, 2 & 4, Great Smith Street, Westminster, London, S.W.  
H. S. King & Co., 65, Cornhill, E.O., and 9, Pall Mall, London, W.  
Grindlay & Co., 54, Parliament Street, London, S.W.  
Luzac & Co., 46, Great Russell Street, London, W.O.

W. Thacker & Co., 2, Creed Lane, London, E.O.  
T. Fisher Unwin, Ltd., No. 1, Adelphi Terrace, London, W.O.  
Wm. Wesley & Son, 28, Essex St., Strand, London.  
B. H. Blackwell, 50 & 51, Broad Street, Oxford.  
Deighton Bell & Co., Ltd., Cambridge.  
Oliver and Boyd, Tweeddale Court, Edinburgh.  
E. Ponsonby, Ltd., 116, Grafton Street, Dublin.  
Ernest Leroux, 28, Rue Bonaparte, Paris.  
Martinus Nijhoff, The Hague, Holland.

**IN INDIA AND CEYLON.**

Thacker, Spink & Co., Calcutta and Simla.  
Newman & Co., Calcutta.  
R. Cambray & Co., Calcutta.  
S. K. Lahiri & Co., Calcutta.  
B. Banerjee & Co., Calcutta.  
The Indian School Supply Depot, 309, Bow Bazar Street, Calcutta, and 226, Nawabpur, Dacca.  
Butterworth & Co. (India), Ltd., Calcutta.  
Rai M. C. Sarear Bahadur and Sons, 90/2A, Harrison Road, Calcutta.  
The Weldon Library, 57, Park Street, West, Calcutta.  
Standard Literature Company, Limited, Calcutta.  
Lal Chand & Sons, Calcutta.  
Association Press, Calcutta.  
Higginbotham & Co., Madras.  
V. Kalyanarama Iyer & Co., Madras.  
G. A. Natesan & Co., Madras.  
S. Murthy & Co., Madras.  
Thompson & Co., Madras.  
Temple & Co., Madras.  
P. R. Rama Iyer & Co., Madras.  
Vas & Co., Madras.  
E. M. Gopalakrishna Kone, Madras.  
Thacker & Co., Ltd., Bombay.  
D. B. Taraporewala, Sons & Co., Bombay.  
Mrs. Radhabai Atmaram Sagoon, Bombay.  
Sunder Pandurang, Bombay.  
Gopal Narayan & Co., Bombay.  
Ram Chandra Govind & Son, Kalbadevi, Bombay.

Proprietor, New Kitabkhana, Poona.  
The Standard Bookstall, Karachi.  
Mangaldas Harkisandas, Surat.  
Karsandas Narandas & Sons, Surat.  
A. H. Wheeler & Co., Allahabad, Calcutta and Bombay.  
N. B. Mathur, Supt., Nazir Kanun Hind Press, Allahabad.  
Rai Sahib M. Gulab Singh & Sons, Mufid-i-Am Press, Lahore and Allahabad.  
Munshi Seeta Ram, Managing Proprietor, Indian Book-Depot, Juhu, Cawnpore.  
Rama Krishna & Sons, Lahore.  
Supt., American Baptist Mission Press, Rangoon.  
Manager, the "Hitavada," Nagpur.  
S. O. Talukdar, Proprietor, Students and Company, Cooch Behar.  
A. M. & J. Ferguson, Ceylon.  
Manager, Educational Book Depots, Nagpur and Jubbulpore.\*  
Manager of the Imperial Book Depot, 63, Chandney Chalk Street, Delhi.\*  
Manager, "The Agra Medical Hall and Co-operative Association, Ltd." (Successors to A. John & Co., Agra).  
Supt., Basel Mission Book and Tract Depository, Mangalore.\*  
P. Varadachary & Co., Madras.\*  
H. Liddell, Printer, etc., 7, South Road, Allahabad.\*  
Ram Dayal Agarwala, 184, Katra, Allahabad.\*  
D. C. Anand & Sons, Peshawar.\*  
Manager, Newal Kishore Press, Lucknow.\*

\* Agents for the sale of Legislative Department Publications only.

## LIST OF MAPS AND PLANS.

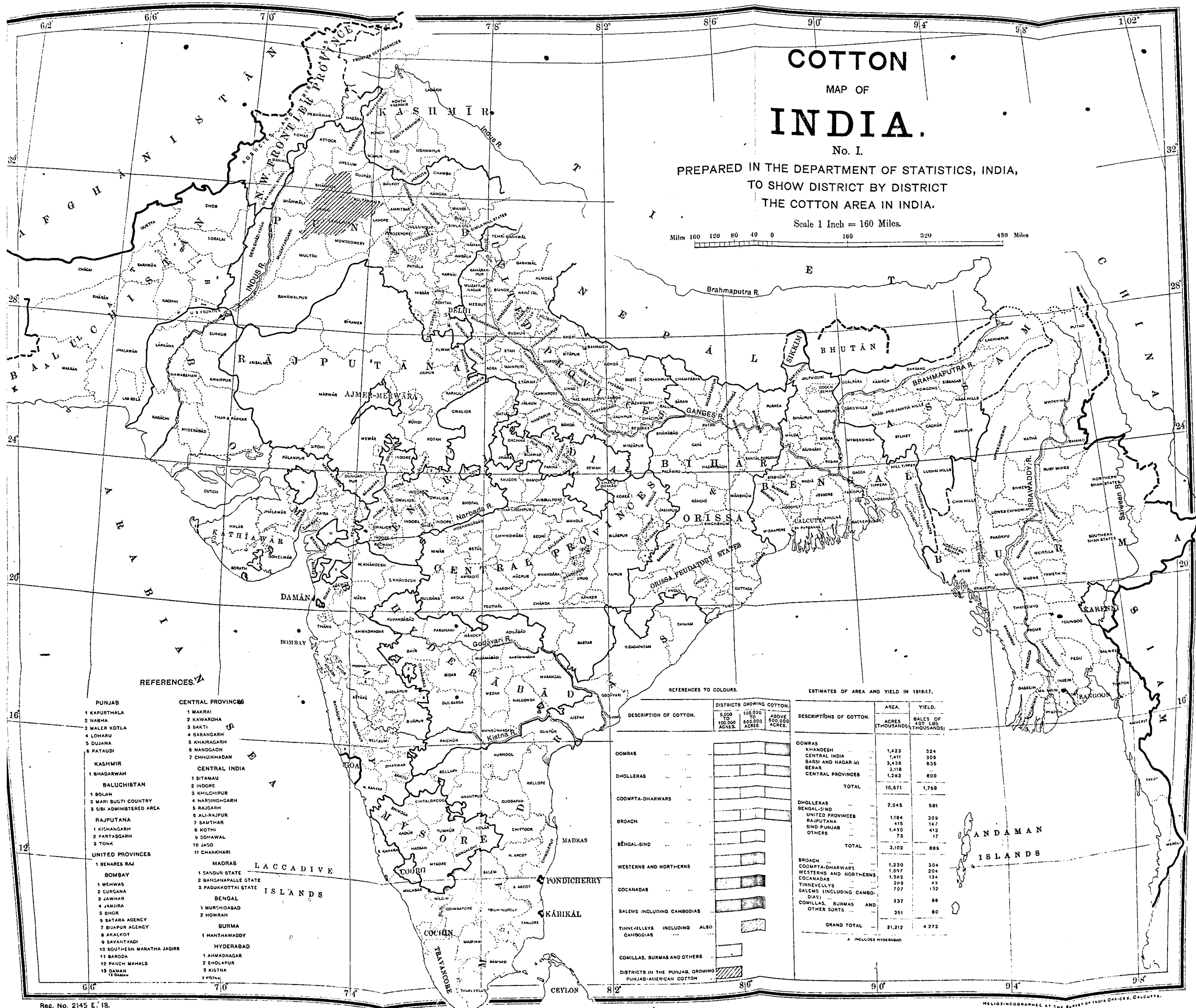
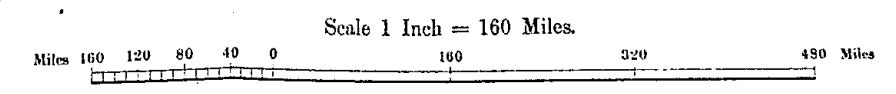
1. Cotton map of India I.
2. Cotton map of India II.
3. Irrigation map of the Punjab.
4. Irrigation map of the United Provinces.
5. Irrigation map of Sind.
6. Two plans of model ginning factory.

# COTTON

## MAP OF INDIA.

No. I.

PREPARED IN THE DEPARTMENT OF STATISTICS, INDIA,  
TO SHOW DISTRICT BY DISTRICT  
THE COTTON AREA IN INDIA.



- REFERENCES**
- PUNJAB**  
1 KAPURTHALA  
2 NAHNA  
3 WALKER KOTLA  
4 LOWAHU  
5 DUJANA  
6 PATAUDI
- KASHMIR**  
1 BHADRAWAH
- BALUCHISTAN**  
1 BOLAN  
2 MARI BUCHI COUNTRY  
3 SIBI ADMINISTERED AREA
- RAJPUTANA**  
1 KISHANGARH  
2 PARTHAGARH  
3 TONK
- UNITED PROVINCES**  
1 BENARES RAJ  
**BOMBAY**  
1 MEHWAS  
2 GURJANA  
3 JANWAR  
4 JANJIRA  
5 DHOR  
6 SATARA AGENCY  
7 BIJAPUR AGENCY  
8 AKALKOT  
9 SAVANTVADI  
10 SOUTHERN MARATHA JAGIRS  
11 BARODA  
12 PANCH MAHALS  
13 DAMAN
- CENTRAL PROVINCES**  
1 MAKRAI  
2 KAWARDHA  
3 SAKTI  
4 SASARGARH  
5 KHAIRAGARH  
6 NANDAON  
7 CHHUKHADAN
- CENTRAL INDIA**  
1 SITAMAU  
2 INDORE  
3 KHILCHIPUR  
4 NARSINGGARH  
5 RAJDARH  
6 ALI-RAJPUR  
7 SAMTHAR  
8 KOTHI  
9 SOHAWAL  
10 JASO  
11 CHANKHARI
- MADRAS**  
1 SANDUR STATE  
2 BANGANAPALLE STATE  
3 PADUKKOTTAI STATE
- BENGAL**  
1 MURSHIDABAD  
2 HOWRAH
- BURMA**  
1 MANTHAWADDY
- HYDERABAD**  
1 AHMADNAGAR  
2 SHOLAPUR  
3 KISTNA  
4 KOTWA

**REFERENCES TO COLOURS.**

DESCRIPTION OF COTTON.	DISTRICTS GROWING COTTON.		
	5,000 TO 100,000 ACRES.	100,000 TO 500,000 ACRES.	ABOVE 500,000 ACRES.
OOMRAS	[Pattern]	[Pattern]	[Pattern]
DHOLLERAS	[Pattern]	[Pattern]	[Pattern]
COOMPTA-DHARWARS	[Pattern]	[Pattern]	[Pattern]
BROACH	[Pattern]	[Pattern]	[Pattern]
BĒNGAL-SIND	[Pattern]	[Pattern]	[Pattern]
WESTERNS AND NORTHERNS	[Pattern]	[Pattern]	[Pattern]
COCANADAS	[Pattern]	[Pattern]	[Pattern]
SALEM INCLUDING CAMBODIAS	[Pattern]	[Pattern]	[Pattern]
TINNEVELLYS INCLUDING ALSO CAMBODIAS	[Pattern]	[Pattern]	[Pattern]
COMILLAS, BURMAS AND OTHERS	[Pattern]	[Pattern]	[Pattern]
DISTRICTS IN THE PUNJAB, GROWING PUNJAB-AMERICAN COTTON	[Pattern]	[Pattern]	[Pattern]

**ESTIMATES OF AREA AND YIELD IN 1916-17.**

DESCRIPTIONS OF COTTON.	AREA.		YIELD.
	ACRES	BALS OF 400 LBS (THOUSANDS)	
OOMRAS	1,423	324	
KHANDESH	1,411	309	
CENTRAL INDIA	3,438	836	
BARS AND NAGAR (a)	3,118	49	
BERAR	1,283	800	
CENTRAL PROVINCES			
TOTAL	10,671	1,768	
DHOLLERAS	2,045	581	
BĒNGAL-SIND	1,184	309	
UNITED PROVINCES	415	147	
RAJPUTANA	1,430	413	
SIND-PUNJAB	73	17	
OTHERS			
TOTAL	3,102	886	
BROACH	1,230	304	
COOMPTA-DHARWARS	1,097	204	
WESTERNS AND NORTHERNS	1,382	134	
COCANADAS	299	49	
TINNEVELLYS	707	132	
GALMDS (INCLUDING CAMBODIAS)	337	88	
COMILLAS, BURMAS AND OTHER SORTS	251	80	
GRAND TOTAL	21,212	4,273	

(a) INCLUDES HYDERABAD.

Note. - No colouring has been made for any District containing less than 5,000 acres under cotton.

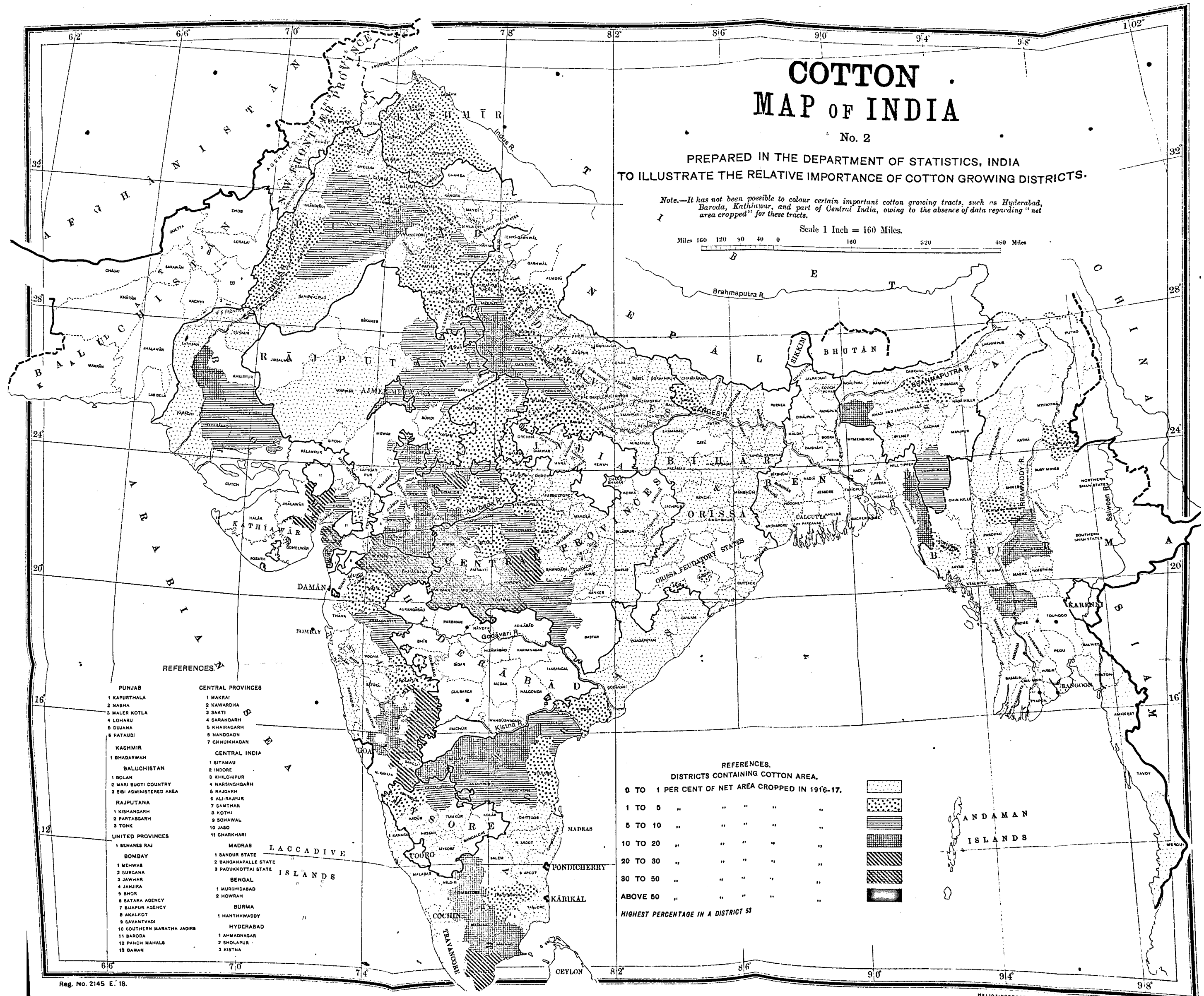
# COTTON MAP OF INDIA

No. 2

PREPARED IN THE DEPARTMENT OF STATISTICS, INDIA  
TO ILLUSTRATE THE RELATIVE IMPORTANCE OF COTTON GROWING DISTRICTS.

Note.—It has not been possible to colour certain important cotton growing tracts, such as Hyderabad, Baroda, Kathiawar, and part of Central India, owing to the absence of data regarding "net area cropped" for these tracts.

Scale 1 Inch = 160 Miles.

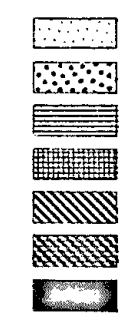


REFERENCES

- PUNJAB**
  - 1 KAPURTHALA
  - 2 NABHA
  - 3 MALER KOTLA
  - 4 LOHARU
  - 5 DUJANA
  - 6 PATAUDI
- KASHMIR**
  - 1 BHADARWASH
- BALUCHISTAN**
  - 1 BOLAN
  - 2 MARI BUOTI COUNTRY
  - 3 SIBI ADMINISTERED AREA
- RAJPUTANA**
  - 1 KISHANGARH
  - 2 PARTABGARH
  - 3 TONK
- UNITED PROVINCES**
  - 1 BEMAREES RAJ
  - 2 BOMBAY
  - 3 SURGANA
  - 4 JAWHAR
  - 5 BHOR
  - 6 SATARA AGENCY
  - 7 BUAJAPUR AGENCY
  - 8 AKALKOT
  - 9 SAVANTVADI
  - 10 SOUTHERN MARATHA JAGIRS
  - 11 BARODA
  - 12 PANCH MAHALS
  - 13 DAMAN
- CENTRAL PROVINCES**
  - 1 MAKRAI
  - 2 KAWARDHA
  - 3 SAKTI
  - 4 BARANAGARH
  - 5 KHAIRAGARH
  - 6 NANDDAGON
  - 7 CHHUKHAGARH
- CENTRAL INDIA**
  - 1 SITAMAU
  - 2 INDORE
  - 3 KHILCHIPUR
  - 4 NARSINGGARH
  - 5 RAJGARH
  - 6 ALI-RAJAPUR
  - 7 SAMTHAR
  - 8 KOTHI
  - 9 SOHAWAL
  - 10 JASO
  - 11 CHARKHARI
- MADRAS**
  - 1 BANDUR STATE
  - 2 BANGANAPALLE STATE
  - 3 PADUKKOTTAI STATE
- BENGAL**
  - 1 MURSHIDABAD
  - 2 HOWRAH
- BURMA**
  - 1 HANTHAWADDY
- HYDERABAD**
  - 1 AHMADNAGAR
  - 2 SHOLAPUR
  - 3 KISTNA

REFERENCES. DISTRICTS CONTAINING COTTON AREA.

- 0 TO 1 PER CENT OF NET AREA CROPPED IN 1916-17.
- 1 TO 5 " " " " " "
- 5 TO 10 " " " " " "
- 10 TO 20 " " " " " "
- 20 TO 30 " " " " " "
- 30 TO 50 " " " " " "
- ABOVE 50 " " " " " "

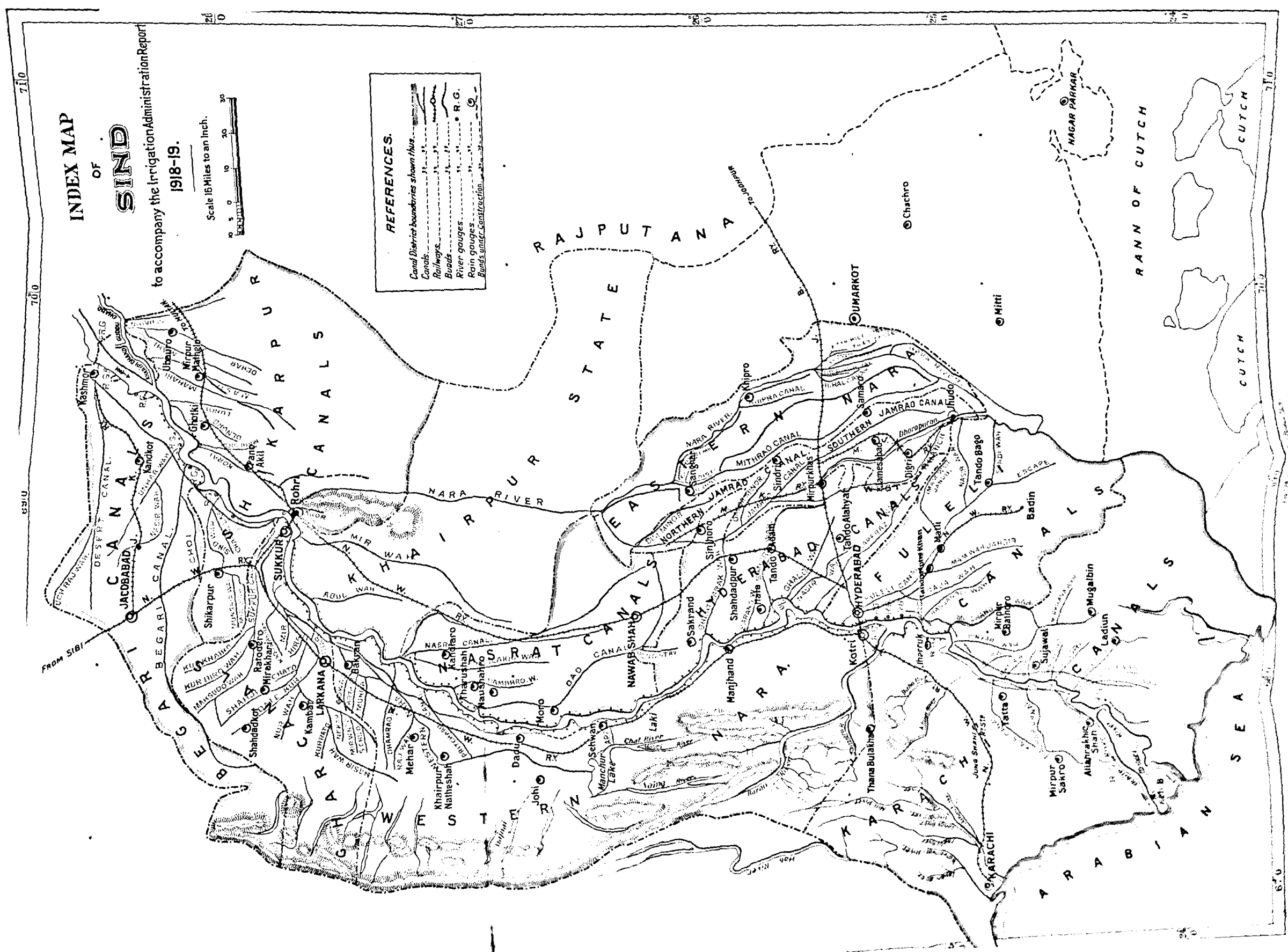


HIGHEST PERCENTAGE IN A DISTRICT 53









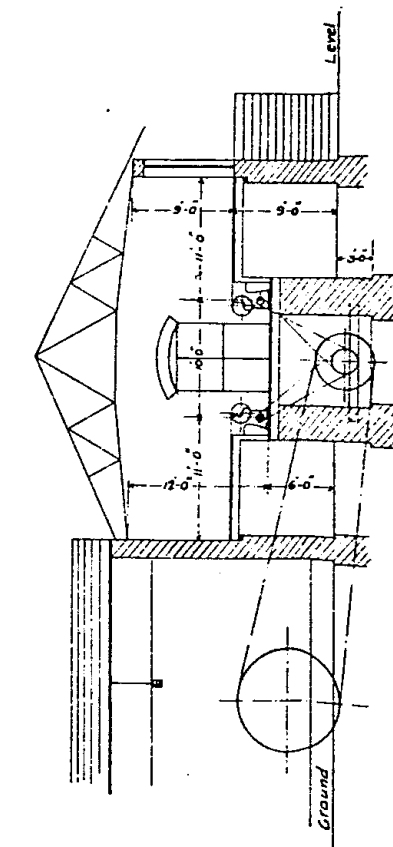
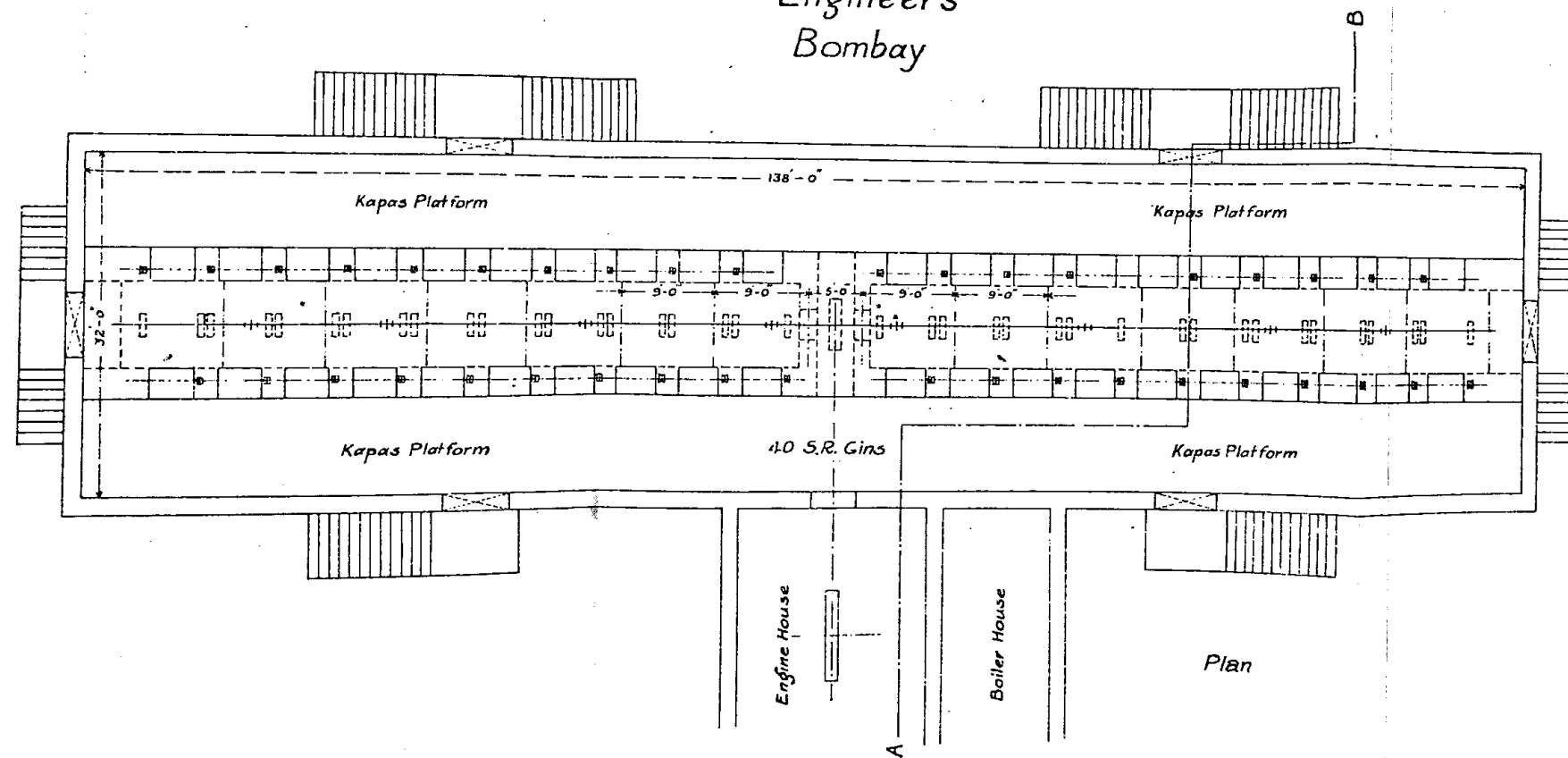
**INDEX MAP**  
OF  
**SINDH**

to accompany the Irrigation Administration Report  
1918-19.

Scale 18 Miles to an Inch.

- REFERENCES.**
- Canal District boundaries shown thus: - - - - -
  - Canals: ————
  - Railways: —+—+—+—
  - Roads: —·—·—·—
  - River gauges: ○
  - Rain gauges: ●
  - Roads under construction: - - - - -

Marshall, Sons & Co. Ltd.  
Engineers  
Bombay



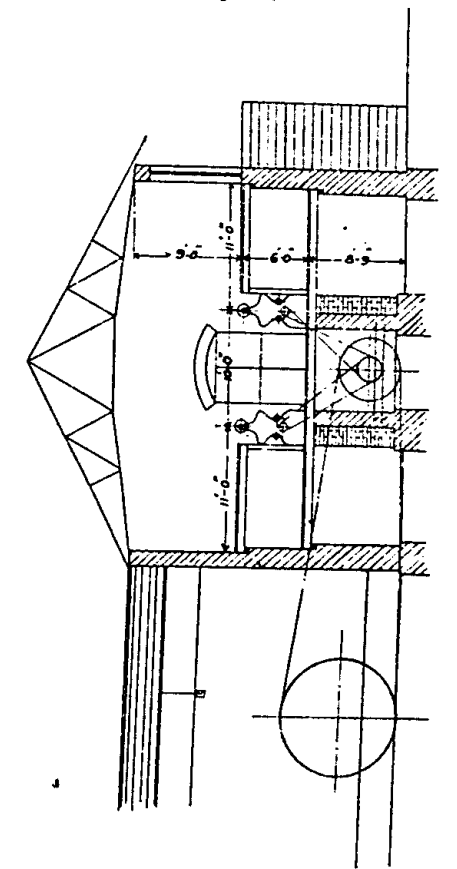
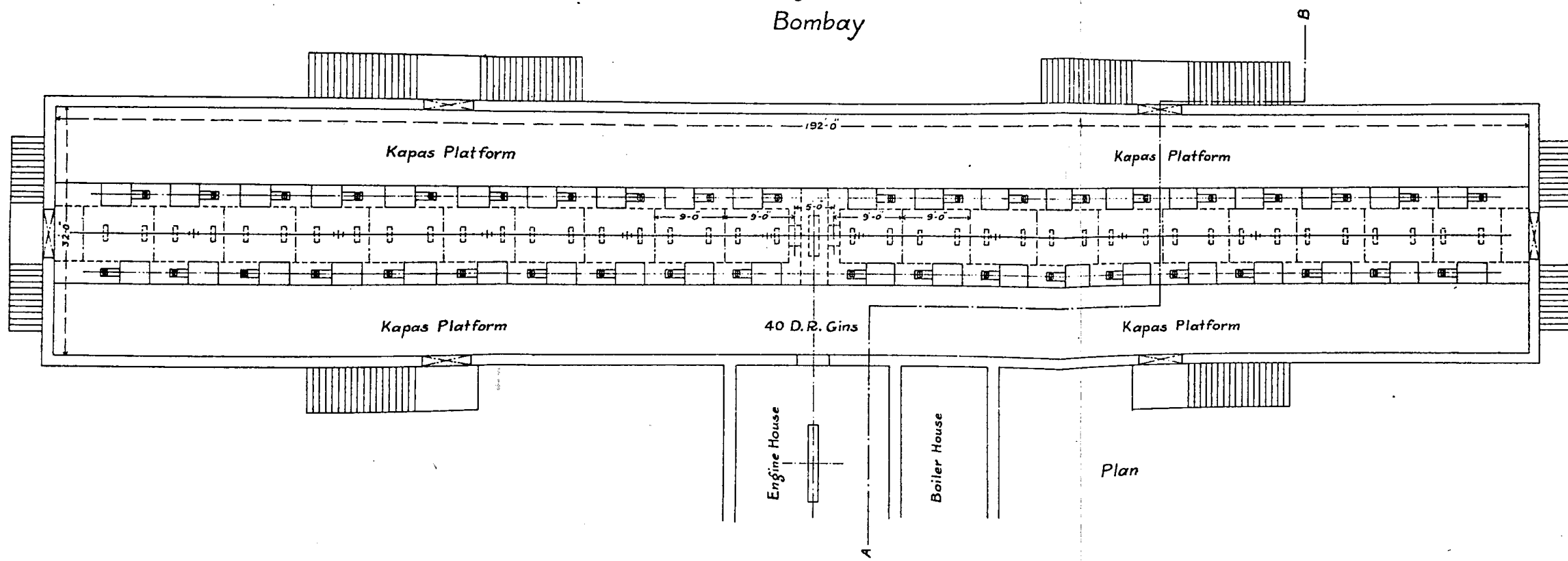
Cross Sectional Elevation at A. B.

Proposed Standard Factory for 40 Single Roller Gins

Scale  $\frac{1}{16}'' = 1 \text{ Foot}$

866

Marshall, Sons & Co. Ltd.  
Engineers  
Bombay



Proposed Standard Factory for 40 Double Roller Gins

Scale  $\frac{1}{16}'' = 1 \text{ Foot}$

1867